

# Available June 2024 The HTZ Solution!

sales@htzsolutions.com

## T22 -173024

HTZSolutions.com



## Introducing the latest entry to the Hand Hole market



The HTZ T22 - 17" x 30" x 24" Hand Hole is one of the lightest yet durable options for your Tier 22 infrastructure projects. Our Made in America product originated in the Midwest and is the culmination of input from installers, distributors and end customers alike.

HTZ's lightweight, versatile design is installer friendly, making it safer and faster to set these larger hand holes. Our HDPE-based hand hole makes it easier and safer for installers to add custom ports for cable ingress/egress in the field, without the dust and tool wear that results from working with precast and concrete products. In addition, our HDPE, Tier 22 Lid is at least 20% lighter than competitors' lids, while still meeting the 33,750 lb test load strength requirement.

### HTZ SOLUTION FEATURES:

- *HDPE Components & Aluminum Structure (Lid & Clamshell)*
- *Lightweight (~80 lbs Fully Assembled)*
- *Reversible Clamshell – Prevents Errors when Setting*
- *Unique Snaplock Clamshell*
- *Lids available in Gray or Green color*
- *Unique Clip in Anchors for Lid attachment*
- *Outer Grid Prevents Heaving after Installation*
- *Raised lip on clamshell and recess in lid prevent water ingress to unit*

HTZ's patent pending hand holes come fully assembled. Fasteners can also be changed out quickly with our unique anchor and clip design. We offer the option of self tapping or fine threads, depending on your application preference. Change out is fast and easy.

T22 units have 5.2 cubic feet total internal volume for your splice box. The HDPE walls allow for items to be fastened in place easily.

Custom puck labeling is available – Standard options are HTZ, Communications or Fiber Optic.

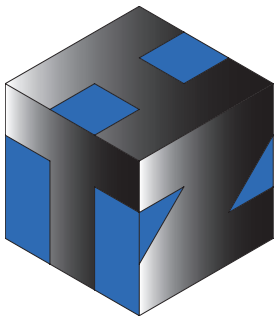


Custom Pucks Available



SCAN TO LEARN MORE FOR ACCESS TO DISTRIBUTORS

August 12, 2024 and Rev.0B



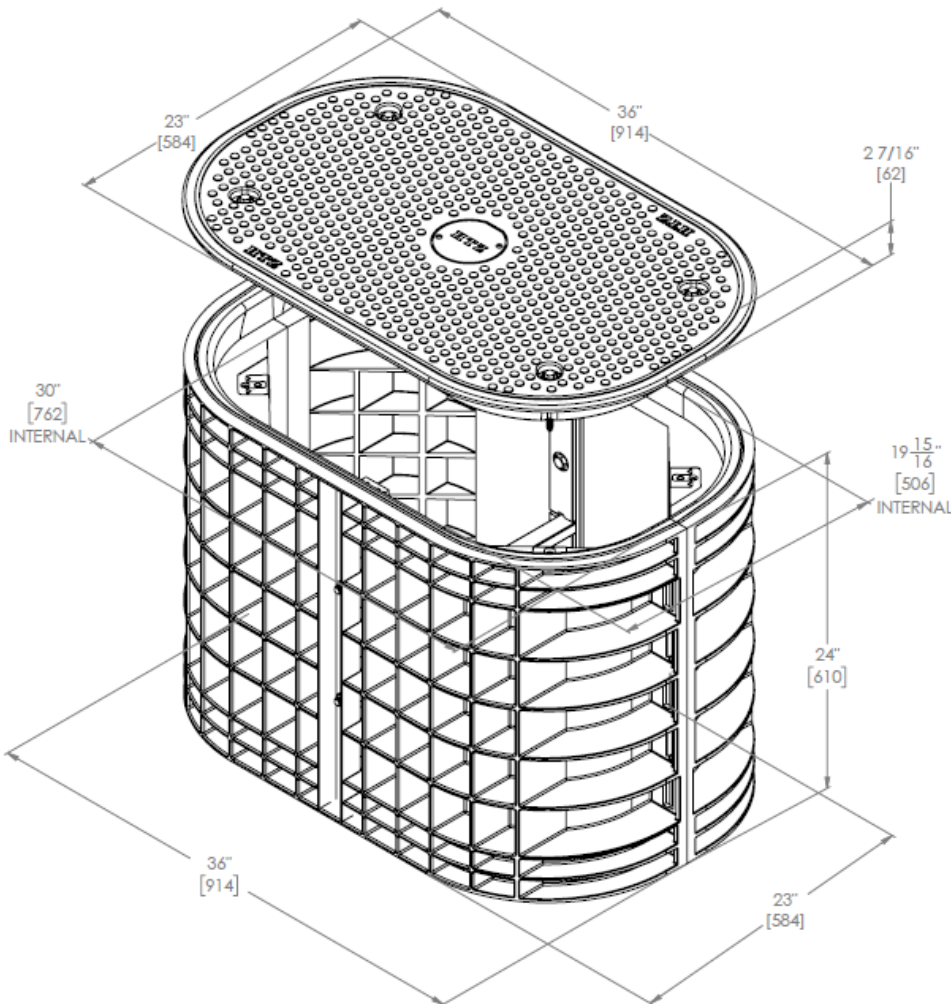
# The HTZ Solution!

sales@htzsolutions.com

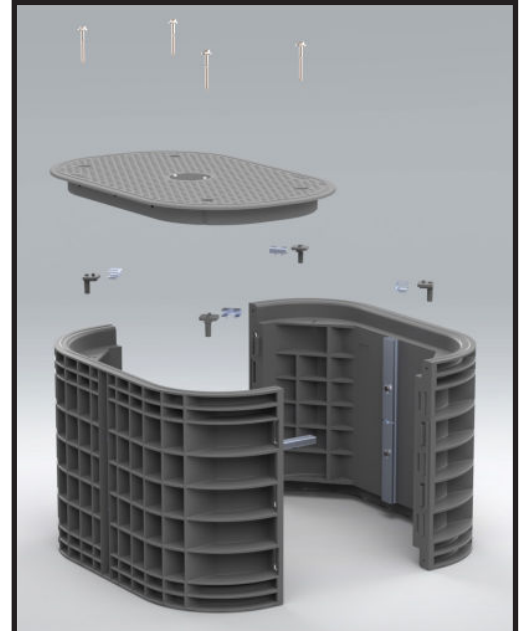
**T22 -173024**

HTZSolutions.com

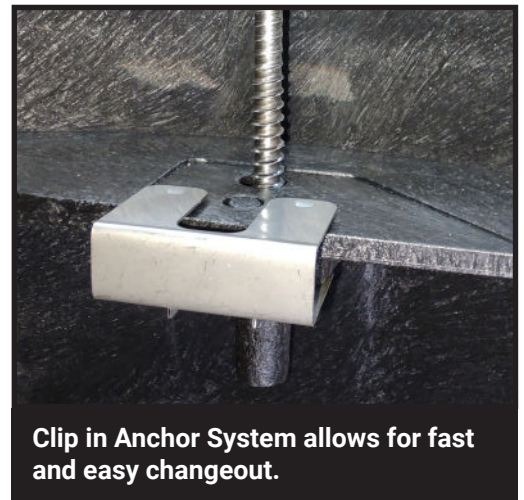
Weight	Lbs	Kg
Lid	35	15.9
Clamshell (Assembled)	33.5	15.2
Clamshell/ Separated	16.8	7.6
<b>Fully Assembled</b>	<b>78</b>	<b>35.4</b>



\* 5.2 cubic feet internally  
(with lid installed)



Meets ANSI SCTE 77 2017 Standards  
(33,750 Lb Test Load Requirement)



Clip in Anchor System allows for fast  
and easy changeout.

## Shipping / Logistics Info

Truckload Quantity	174	
Pallet Quantity	6	
Full Pallet Weight	493 lbs	223.6 kg



SCAN TO LEARN MORE  
FOR ACCESS TO DISTRIBUTORS

August 12, 2024 and Rev.0B